

Lindab **DCS**

Installation instruction - UK
Installations vejledning - DK
Montageinstruktion - SE
Asennusohje - FI
Montageanleitung - DE
Istruzioni di montaggio - IT
Instructions de montage - FR

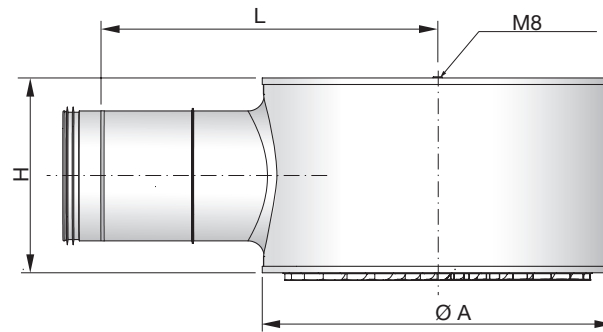
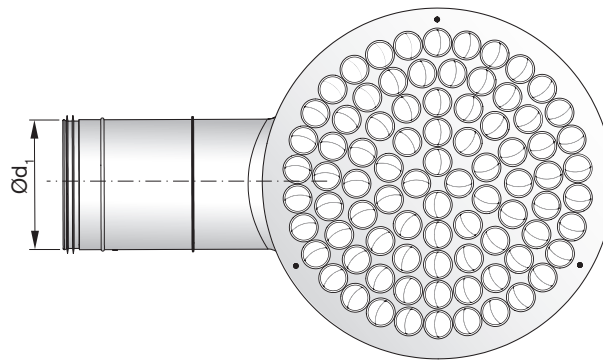


DCS

Product
 Produkt
 Produkt
 Tuote
 Produkt
 Prodotto
 Produit



Dimensions
 Dimensioner
 Mått
 Mitat
 Maße
 Dimensioni
 Dimensions



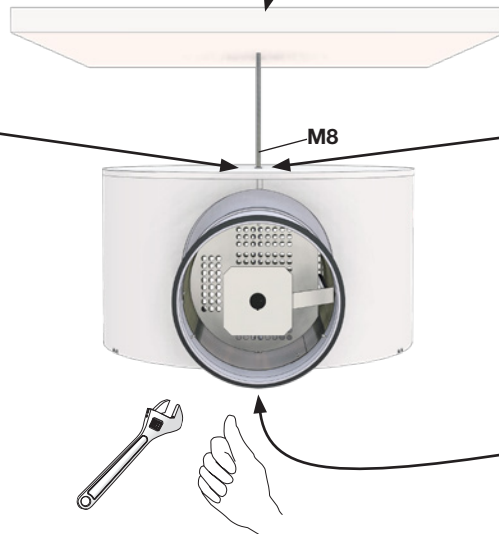
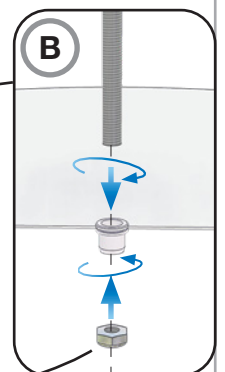
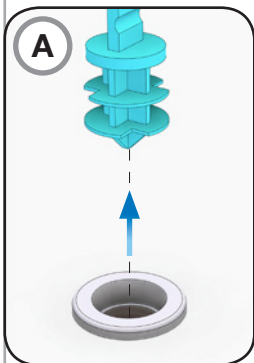
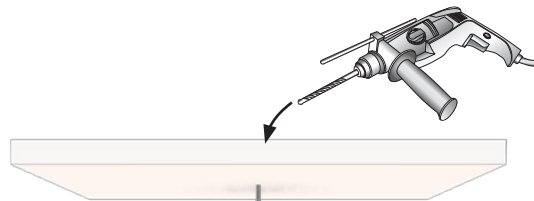
Ød ₁ Size [mm]	ØA [mm]	Ød ₁ [mm]	L [mm]	H [mm]	Weight [kg]
100	300	100	365	200	3,1
125	360	125	395	215	4,0
160	460	160	470	260	5,2
200	540	200	545	300	7,7
250	680	250	645	350	10,5
315	680	315	685	420	10,8

DCS

uninstall faceplate
demontering af bundplade
avmontera frontplatta
Etulevyn irrotus
demontage der Frontplatte
Smontaggio del frontale
demontage de la façade

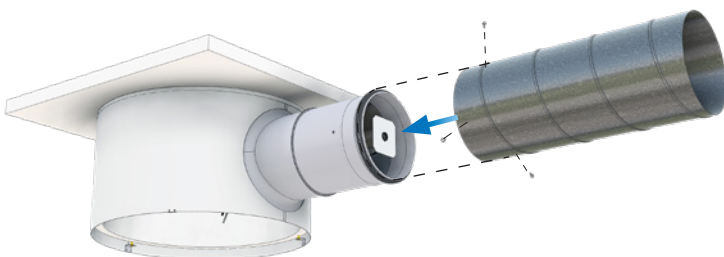
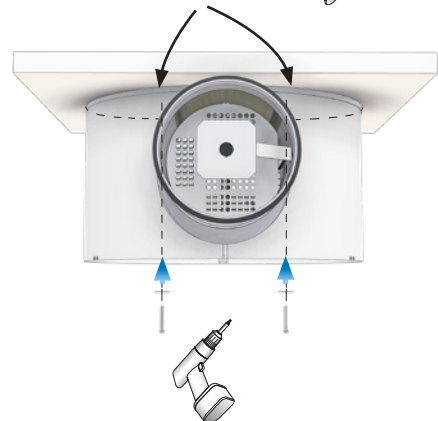
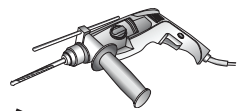


Mounting of DCS - with M8
Ophængning af DCS - med M8
Upphängning av DCS - med M8
Kannakointi DCS - M8: n kanssa
Montage des DCS - mit M8
Montaggio di DCS - con M8
Montage de DCS - avec M8



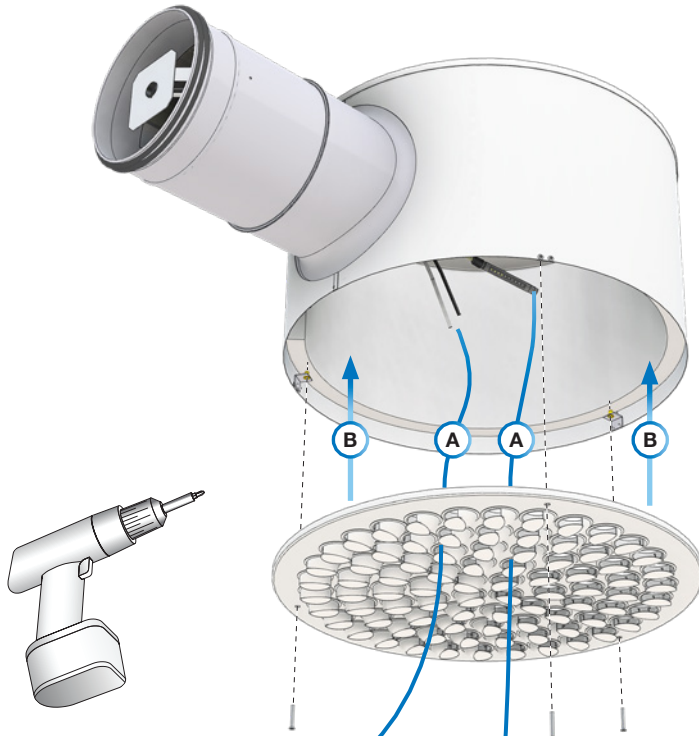
Mounting of DCS
Ophængning af DCS
Upphängning av DCS
Kannakointi DCS
Montage des DCS
Montaggio di DCS
Montage de DCS

Directly against ceiling
Direkte mod loft
Dikt mot tak
Suoraan kattopintaan
Direkt an die Decke
Direttamente a soffitto
Directment contre le plafond



DCS

Balancing
 Indregulering
 Injustering
 Säätöohjeet
 Einregulierung
 Bilanciamento
 Réglage



1

Δp_i

1 + 2 + 3 + 4

Open / closed damper
 Åpent / lukket spjæld
 Öppet / Stängt spjäll
 Säätöpeltti auki / kiinni
 Geöffnete / Geschlossene Drossel
 Serranda aperta / chiusa
 Registre ouvert / fermé
 Nyitott / zárt szabályozó

9 0

2

DCS Dim	K-Factor
100	4.14
125	6.59
160	11.3
200	18.0
250	29.9
315	49.9

3

$$q_v \text{ [l/s]} = k \times \sqrt{\Delta p_i}$$

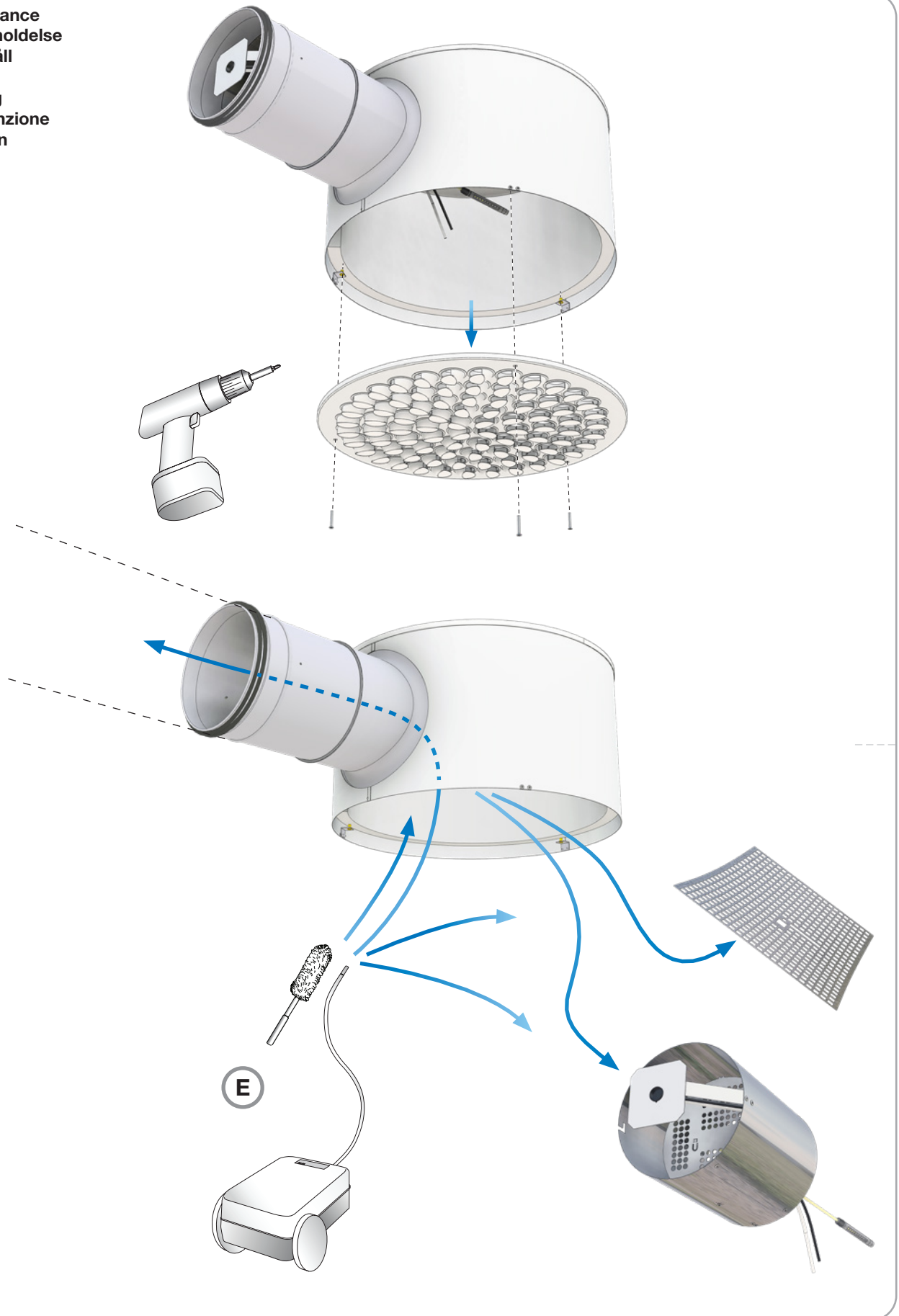
$$\Delta p_i = (q_v / k)^2$$

$$q_v \text{ [m}^3\text{/h]} = q_v \text{ [l/s]} \times 3,6$$

4

DCS

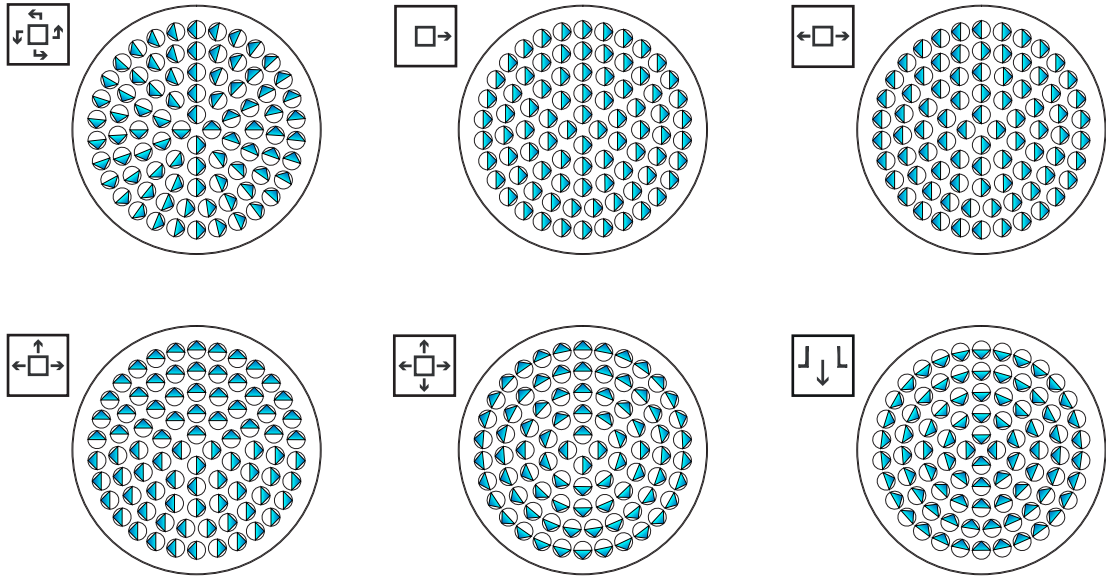
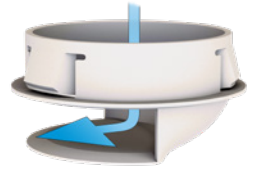
Maintenance
 Vedligeholdelse
 Underhåll
 Huolto
 Wartung
 Manutenzione
 Entretien



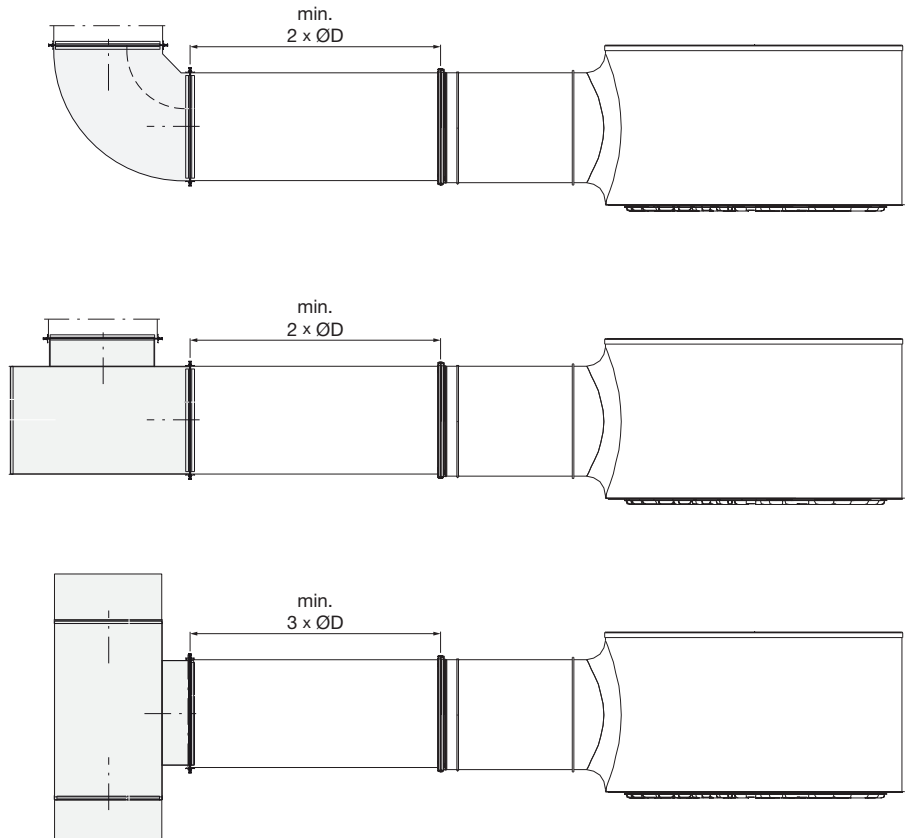
DCS

Air patterns
Luftmønstre
Dysinställning
Suuttimien säätö
Luftführung
Tipologia di lancio
Configuration de diffusion

1. Rotation
2. 1-way
3. 2-way
4. 3-way
5. 4-way
6. Vertical supply



Min. distances
Min. distance
Min. distans
Min. etäisyys
Min. Entfernung
Min. distanza
Min. distance





Most of us spend the majority of our time indoors. Indoor climate is crucial to how we feel, how productive we are and if we stay healthy.

We at Lindab have therefore made it our most important objective to contribute to an indoor climate that improves people's lives. We do this by developing energy-efficient ventilation solutions and durable building products. We also aim to contribute to a better climate for our planet by working in a way that is sustainable for both people and the environment.

[Lindab](#) | For a better climate